

**SACCBP-M12FSD-4CON-M16/2,0-931**

Order No.: 1534601



Bus system flush-type socket, ETHERNET, 4-pos., M12, shielded, D-coded, rear/screw mounting with M16 thread, with 2 m bus cable, 2 x 2 x 0.14 mm<sup>2</sup>

**Ethernet**

Commercial data	
EAN	4046356026772
Pack	1 Pcs.
Customs tariff	85444290
Weight/Piece	0.1301 KG
Catalog page information	Page 182 (PC-2007)

## Product notes

WEEE/RoHS-compliant since:  
06/20/2006



Technical data	
<b>General data</b>	
Nominal current $I_N$	4 A
Nominal voltage $U_N$	60 V
Number of positions	4
Volume resistance	$\leq 3 \text{ m}\Omega$

Insulation resistance	$\geq 100 \text{ M}\Omega$
Length of cable	2 m
Ambient temperature (operation)	-25 °C ... 90 °C (plug/socket)
	-20 °C ... 60 °C (cable, fixed installation)
	0 °C ... 50 °C (cable, flexible installation)

**General characteristics**

Coding	D - data
Inflammability class acc. to UL 94	V0
Surge voltage category	II
Pollution degree	3
Degree of protection	IP67
Contact material	CuZn
Contact surface material	Ni/Au
Contact carrier material	PA 66
Material, knurls	Nickel-plated brass
Sealing material	NBR
Mounting type	Rear mounting, M16 x 1.5 thread with flat nut
Status display	No
Test voltage	2500 V

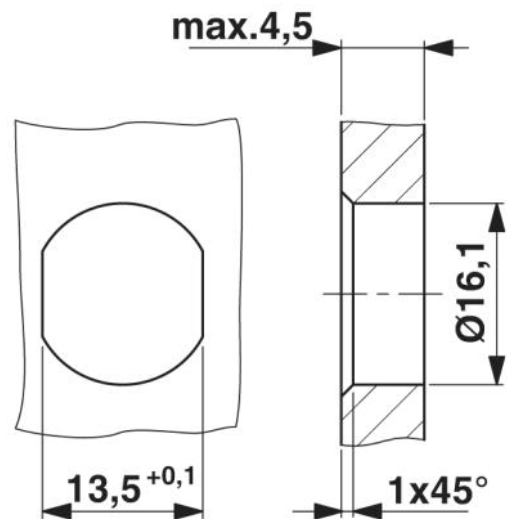
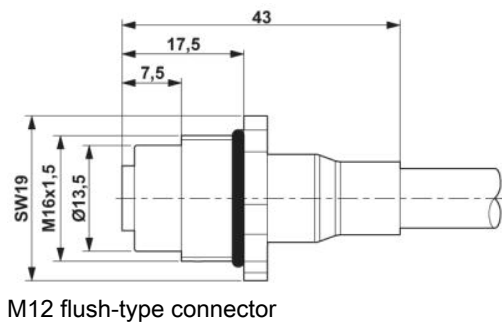
**Conductor data**

Cable type	Ethernet
Conductor cross section	0.14 mm <sup>2</sup>
AWG signal line	26
Conductor structure, signal line	7x 0.15 mm
Core diameter including insulation	1 mm
External cable diameter	6.70 mm
Wire colors	White-green, white-orange
External sheath, color	water blue RAL 5021
Insulation resistance	5 G $\Omega$ *km
Conductor resistance	150 m $\Omega$ /m
Working capacitance	42 pF
Wave impedance	100 $\Omega$ $\pm$ 5%
Signal speed	0.72 c
Signal runtime	46 ns/m

Shield attenuation	60 dB (Up to 1000 MHz)
Interference suppression	90 dB (Up to 1000 MHz)
Nominal voltage, conductor	125 V
Test voltage, conductor	1000 V
Twisted pairs	2 cores to the pair
Type of pair shielding	Aluminum-lined polyester foil
Overall twist	Two pairs with two fillers to the core
Shielding	Braided shielding made of galvanized copper wires
Optical shield covering	65 %
Outer sheath, material	PUR
Material conductor insulation	Cell PE
Conductor material	Bare Cu litz wires
Cable weight	36 kg/km
Smallest bending radius, fixed installation	Min. 35 mm
Smallest bending radius, movable installation	Min. 35 mm

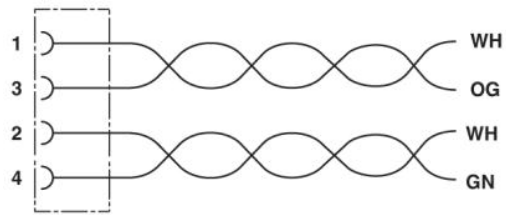
### Drawings

#### Dimensioned drawing



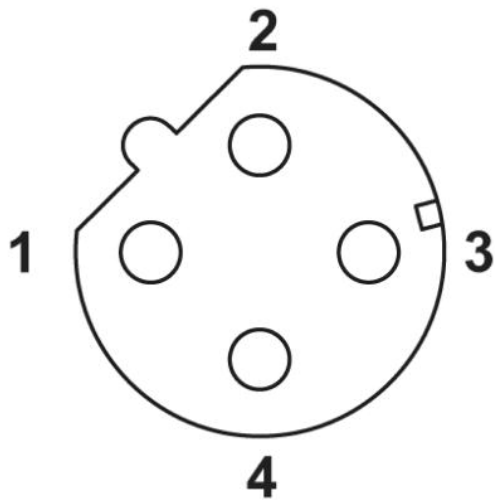
Housing cutout for M16 fastening thread, mounting panel with feed-through hole (alternatively with surface as protection against rotation)

Circuit diagram



Contact assignment of the M12 socket

Schematic diagram



Pin assignment M12 female connector, 4-pos., D-coded, female side